

NELSON™ HEAT TRACING SYSTEMS

HC750 CONTACTOR

SPECIFICATION / APPLICATION

INSTALLATION

DESCRIPTION



ENCLOSURE

Cast Aluminum

CLASSIFICATIONS

NEMA Type 4, 7, 9 IP66

ELECTRICAL DATA

CSA, FM Rating
50 amp resistive @ 600VAC

SWITCH TYPE

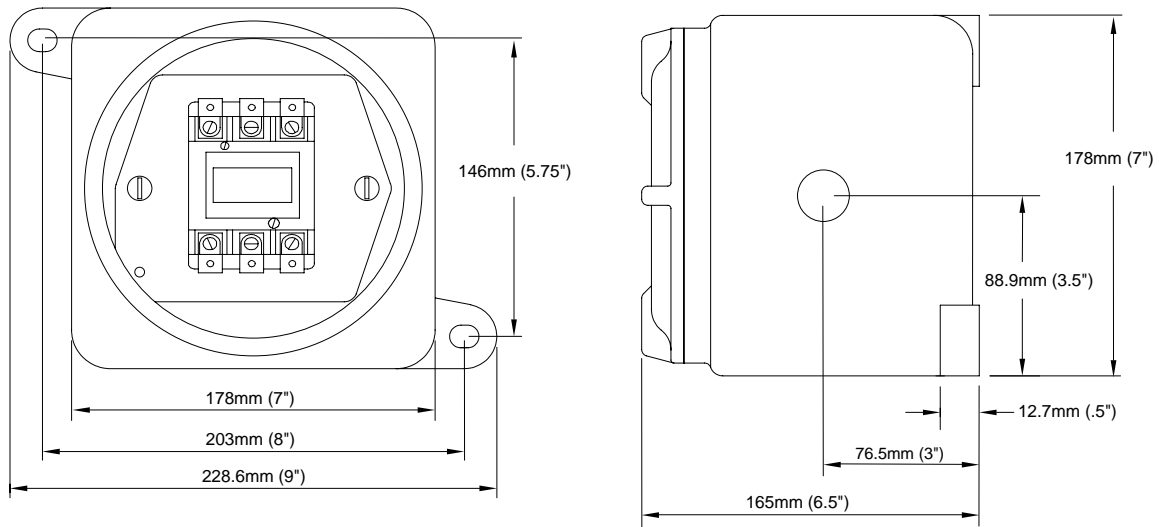
Triple Pole Single Throw

COIL VOLTAGE

Blank	=	120V
X208	=	208V
X240	=	240V
X277	=	277V
X480	=	480V

This contactor is used for switching loads in excess of thermostat contacts, ratings or switching multi loads with one thermostat in hazardous locations.

OUTLINE

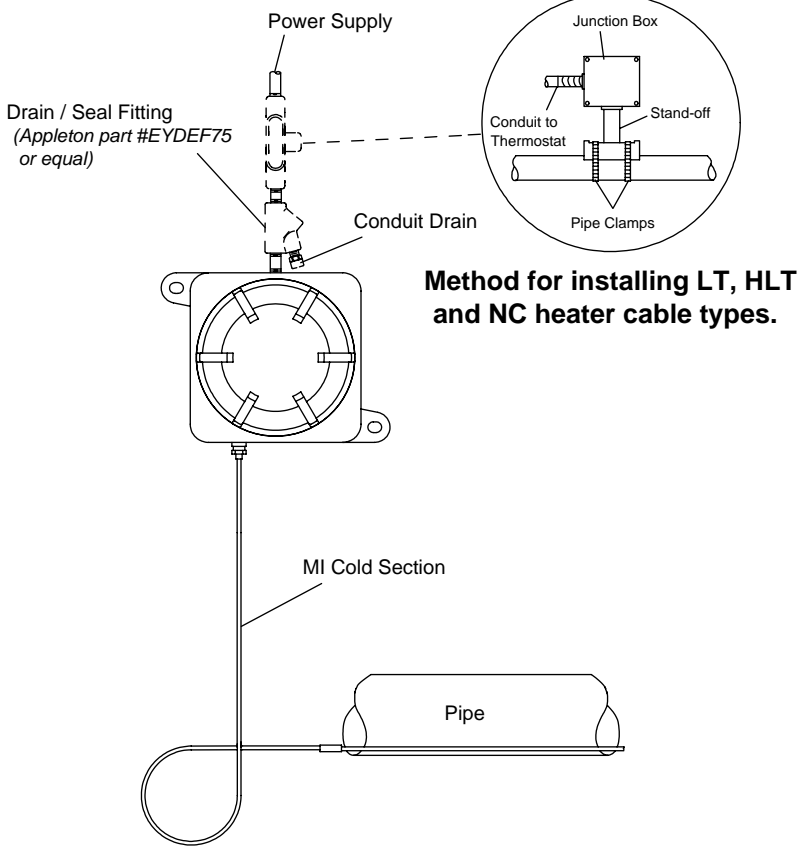


Approvals:

FM - Class I; Div. 1; Groups B, C, D
- Class II; Div. 1; Groups E, F, G
- Class I; Zone 1; AEx d IIB+H₂

CSA - Class I; Div. 1; Groups B, C, D
- Class II; Div. 1; Groups E, F, G
- Class I; Zone 1; Ex d IIB+H₂

INSTALLATION



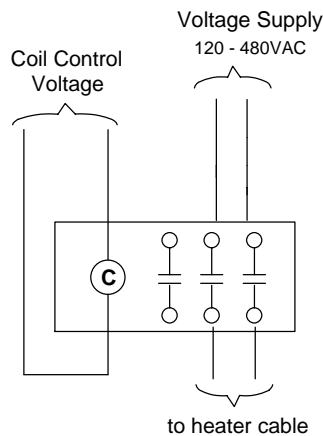
INSTALLATION NOTES:

- Securely mount enclosure and make electrical connections.
- Reinstall enclosure cover to prevent damage from inclement weather.
- Insure all fittings associated with the power wiring are installed per applicable codes.
- When conduit type systems are used, low point drains / conduit drains are highly recommended.

ANNUAL MAINTENANCE:

Spray a coat of lubricant and rust preventative such as CRC Stor & Lube on the electrical wire connections.

WIRING DIAGRAM



Nelson Heat Tracing Systems products are supplied with a limited warranty. Complete Terms and Conditions may be found on Nelson's website at www.nelsonheaters.com.